



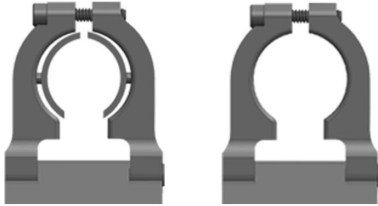
INSTALLATION INSTRUCTIONS FOR VALENTINE ONE RADAR DETECTORS



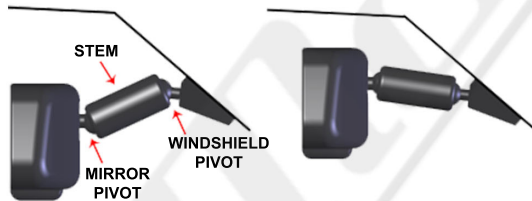
1 - Remove the two suction cups that are on your existing V1 windshield mount. The two holes that were used to secure the suction cups are now used to attach the BlendMount.

2 - Remove the lock washer and nut from the button head screws and place the BlendMount assembly onto the V1 windshield mount. Re-attach the lock washer and nut, and tighten with the supplied allen wrench. Slid the V1 into its cradle as you would before.

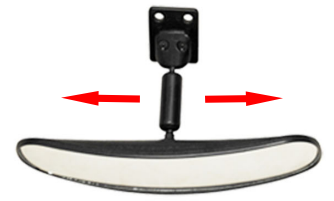
3/4" INNER DIAMETER WITH BUSHINGS 7/8" INNER DIAMETER WITHOUT BUSHINGS



Grab the mirror and move the stem upward using the windshield pivot only

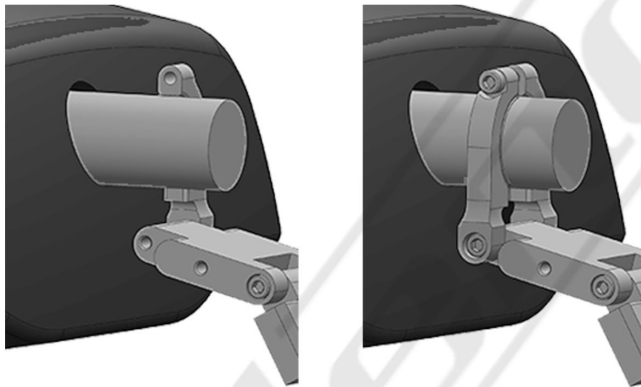


Mirror stem can pivot left/right to point radar detector where desired

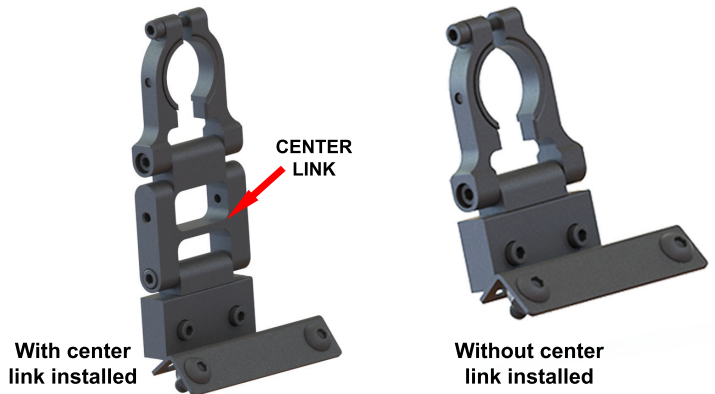


3 - This mount was designed to fit rear view mirror stems that are 3/4" or 7/8" in diameter. If the mount is too big to clamp onto your mirror stem, use the two bushings.

4 - Most compatible mirrors have a stem between the mirror and the windshield that has a pivot on both ends. We recommend that you try moving the mirror upward before installing the mount. Grab the mirror and move the stem upward using the windshield pivot only. Adjust the mirror to your normal viewing position using the mirror pivot only. Notice the higher location of the mirror as shown above. **NOTE: The mirror stem may move side to side as well. Make sure the stem points straight ahead so the RD does too.**



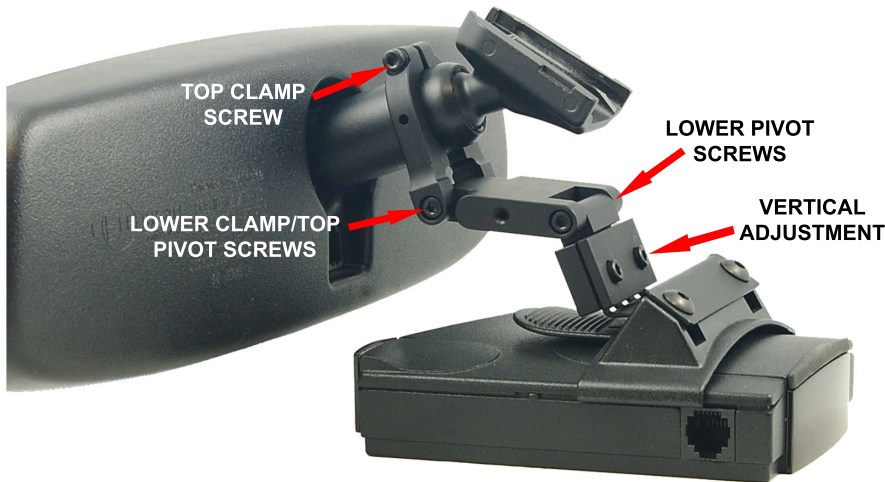
BLENDMOUNT CENTER LINK



5 - Install the mount while sitting in the passenger side of your vehicle. Remove the right-top portion of the mount and position the mount around the mirror stem as shown above. Reattach the right side of the mount. Make sure the lock washer is still on the lower clamp screw. Leave the top screw loose so the mount can slide along the mirror stem and rotate to the desired location. There may be a plastic oval clip around a wire and the stem, the clip must be removed to install the mount. **Lightly snug screws, do not fully tighten until last step.**

6 - The center-link may be removed if an overall shorter mount length is needed, depending on your rear view mirror and desired position for the RD.





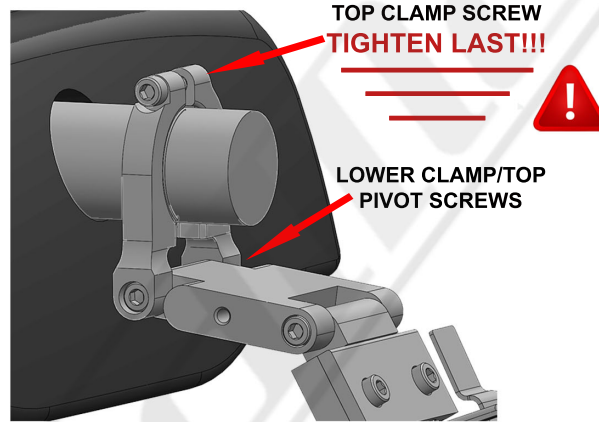
BLENDMOUNT CLIP ADJUSTMENTS

PERFORATION
ALLOWS FOR EASY
BENDING IF NEEDED



7 - Install the RD onto the mount. Make the necessary adjustments as shown above. Using the vertical adjustment, we recommend you adjust the RD as close to the bottom of the mirror as possible.

8 - The clip can be installed 2 different ways. Shown in field 'A' is the more common way, and allows the V1 to sit more forward toward the windshield. It can also be installed as shown in field 'B', allowing the V1 sit closer to the driver.



9 - At this point your RD should be positioned where you want it and the screws should be snug. Loosen the top clamp screw so both the lower clamp/top pivot screws can be fully tightened. Grab the long arm of the allen wrench to assure that these screws are securely tightened. You will not strip out the tapped holes in the aircraft grade aluminum. **The bottom clamp screws should be fully tightened before tightening the top clamp screw. If the top screw is tightened before the bottom screws are, the clamp will loosen over time.**

FOR MORE INFO VISIT www.blendmount.com/videos

CAUTION

DO NOT use this mount if it interferes with the adjustability or the operation of your rear view mirror in any way.

DO NOT use this mount if the radar detector creates an unsafe viewing obstruction.

DO NOT ATTEMPT TO MODIFY THIS PRODUCT. Consult the manufacturer for assistance.

All BlendMount products are accompanied with detailed installation instructions and adjustment tips. You are encouraged to contact customerservice@blendmount.com or call J28 Design at 1-888-497-8388 for further assistance.

Check the BlendMount Forum for installation tips and some vehicle specific installs.
www.blendmount.com

Your feedback is very important to us. Please email any questions or comments you have to customerservice@blendmount.com