

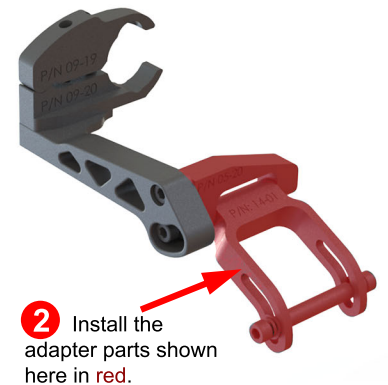
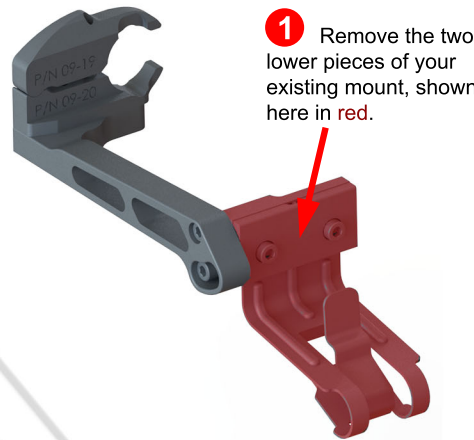
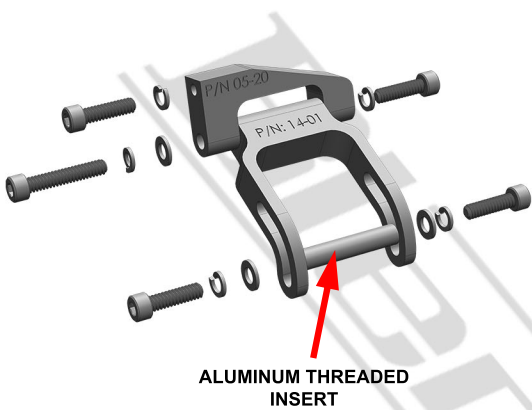


**INSTALLATION INSTRUCTIONS FOR ESCORT EZ MAGNET RADAR DETECTOR ADAPTER MOUNT KIT**

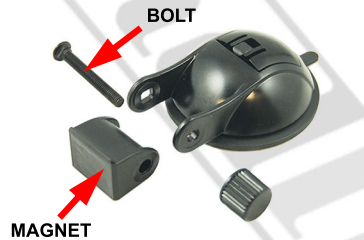
Your rear view mirror has minimal clearance between the back side of the mirror and the mirror stem. It is very important that this mount is installed correctly to ensure mirror adjustability is retained.

**PLEASE READ THESE INSTRUCTIONS THOROUGHLY BEFORE INSTALLING THIS MOUNT**

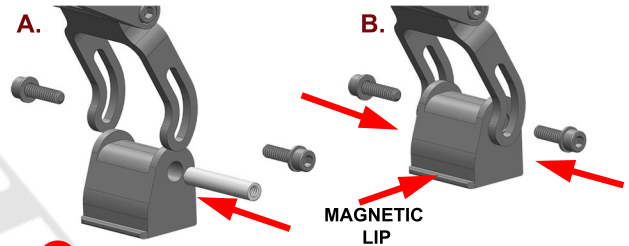
**NOTE:** For illustration purposes, the mount and rear view mirror shown in these instructions may look slightly different than YOUR mount and rear view mirror.



**3** The magnet must be removed from the suction cup mount that the radar detector came with.



**4** Unscrew and remove bolt, only the magnetic piece is used with the blendmount.



**5** Install aluminum threaded insert into magnet (fig A.), and attach magnet onto blendmount with lip pointed in direction as shown (fig B.).

**6** Install the RD onto the mount. Make necessary adjustments using the upper and lower pivots, and the vertical adjustment. Leave enough room below bottom of mirror to allow access to top radar detector buttons. To remove the radar from the magnetic mount, simply tilt the face of the RD up and twist slightly to side, then the magnet will release.



**PUSH UP ON FACE AND TWIST TO REMOVE**

