

**PART# BM1-UP1**



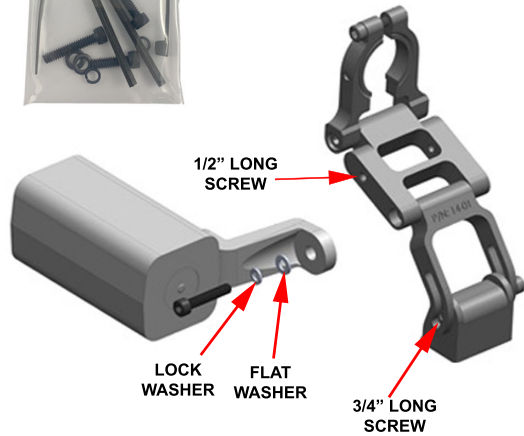
**BlendMount**<sup>®</sup>  
Innovative Mounting Solutions

**HARDWARE KIT TO ATTACH ESCORT M1/M2  
DASHCAM TO A BLENDMOUNT**



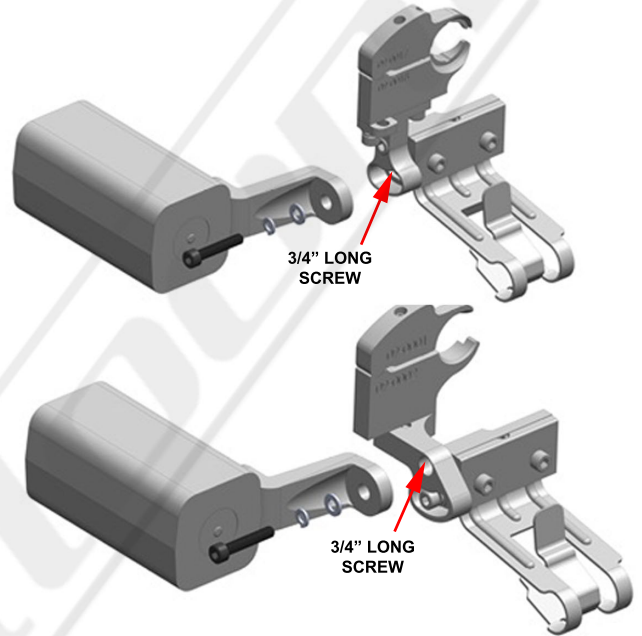
This hardware kit is used to mount the Escort M1/M2 dashcam to most BlendMounts.

Shown below are three different types of BlendMounts and where the M1/M2 can be attached.

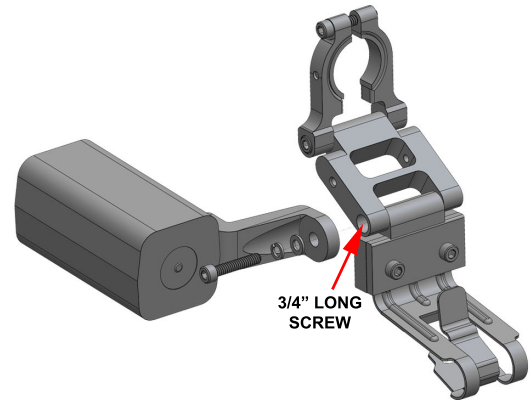


**CHOICE OF TWO MOUNTING LOCATIONS**

**BMG SERIES**



**BBE/BMX SERIES**



FOR MORE INFO VISIT [www.blendmount.com/videos](http://www.blendmount.com/videos)

**CAUTION**

**DO NOT** use this mount if it interferes with the adjustability or the operation of your rear view mirror in any way.

**DO NOT** use this mount if the radar detector creates an unsafe viewing obstruction.

**DO NOT** ATTEMPT TO MODIFY THIS PRODUCT. Consult the manufacturer for assistance.

All BlendMount products are accompanied with detailed installation instructions and adjustment tips. You are encouraged to contact [customerservice@blendmount.com](mailto:customerservice@blendmount.com) or call J28 Design at 1-888-497-8388 for further assistance.

Check the BlendMount Forum for installation tips and some vehicle specific installs.  
[www.blendmount.com](http://www.blendmount.com)

Your feedback is very important to us. Please email any questions or comments you have to [customerservice@blendmount.com](mailto:customerservice@blendmount.com)



**Innovative Design And  
Precision Manufacturing**

BlendMount - US PATENT # D625,580 S, D656,811 S, D653,980 S  
D690,245 S, D690,246 S, D690,247 S and other patents pending