

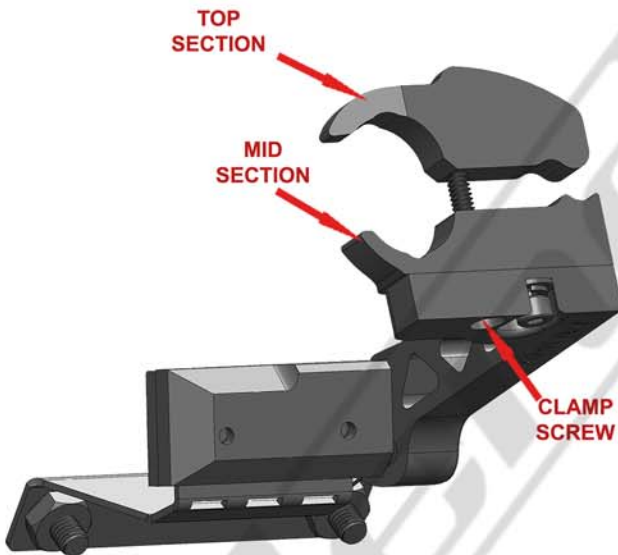


Your rear view mirror has minimal clearance between the back side of the mirror and the mirror stem. It is very important that this mount is installed correctly to ensure mirror adjustability is retained. PLEASE READ THESE INSTRUCTIONS THOROUGHLY BEFORE INSTALLING THIS MOUNT



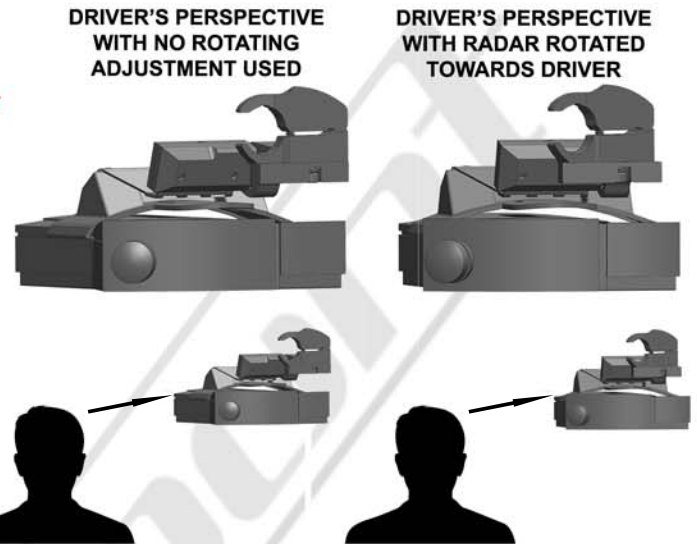
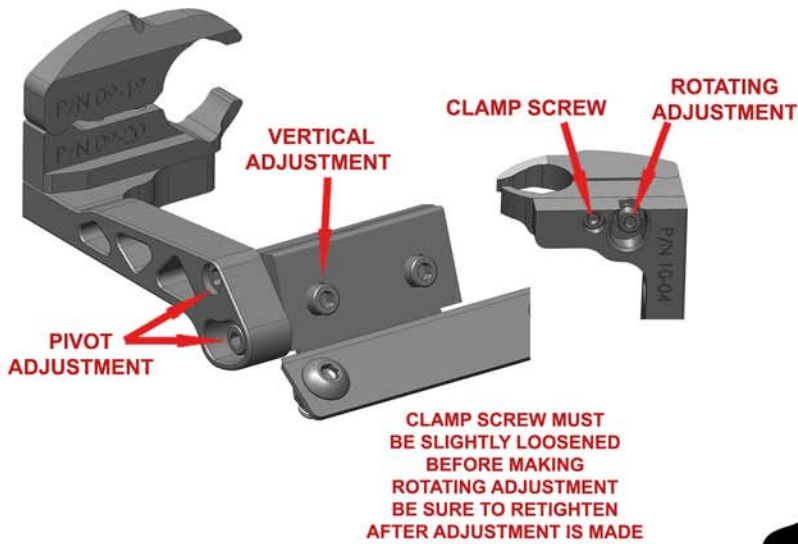
STEP 1 - Remove the two suction cups that are on your existing V1 windshield mount. The two holes that were used to secure the suction cups are now used to attach the BlendMount.

STEP 2 - Remove the lock washer and nut from the button head screws and place the BlendMount assembly onto the V1 windshield mount. Re-attach the lock washer and nut and tighten with the supplied allen wrench.



STEP 1 - Loosen the clamp screw so the top section separates from the mid section. This will provide the necessary clearance to slide the mount over the mirror stem as shown above.

STEP 2 - Tighten the clamp screw until the Top and Mid Sections are **slightly snug** around the mirror stem. You should still be able to move the mount along the stem. Before fully tightening the clamp screw, slide the mount towards the windshield as far as it will go. There should be approximately 1/8" between the back of the mirror and the mount as shown above.



STEP 3 - Install your radar detector onto the mount. Use the adjustments shown above to adjust the RD to your desired position. We recommend adjusting the RD as close to the bottom of your mirror as you can. **NOTE** When the rotating adjustment is used to rotate the RD towards the driver, the footprint of the RD is reduced as shown above. Be sure to tighten all of the adjustment screws after the adjustments are made.



The pictures above show the vertical adjustment set to where the RD can be removed from the mount without hitting the bottom of the mirror.

FOR MORE INFO VISIT www.blendmount.com/videos

CAUTION

- DO NOT** use this mount if it interferes with the adjustability or the operation of your rear view mirror in any way.
- DO NOT** use this mount if the radar detector creates an unsafe viewing obstruction.
- DO NOT** ATTEMPT TO MODIFY THIS PRODUCT. Consult the manufacturer for assistance.

All BlendMount products are accompanied with detailed installation instructions and adjustment tips. You are encouraged to contact customerservice@blendmount.com or call J28 Design at 1-888-497-8388 for further assistance.

Check the BlendMount Forum for installation tips and some vehicle specific installs.
www.blendmount.com

Your feedback is very important to us. Please email any questions or comments you have to customerservice@blendmount.com