

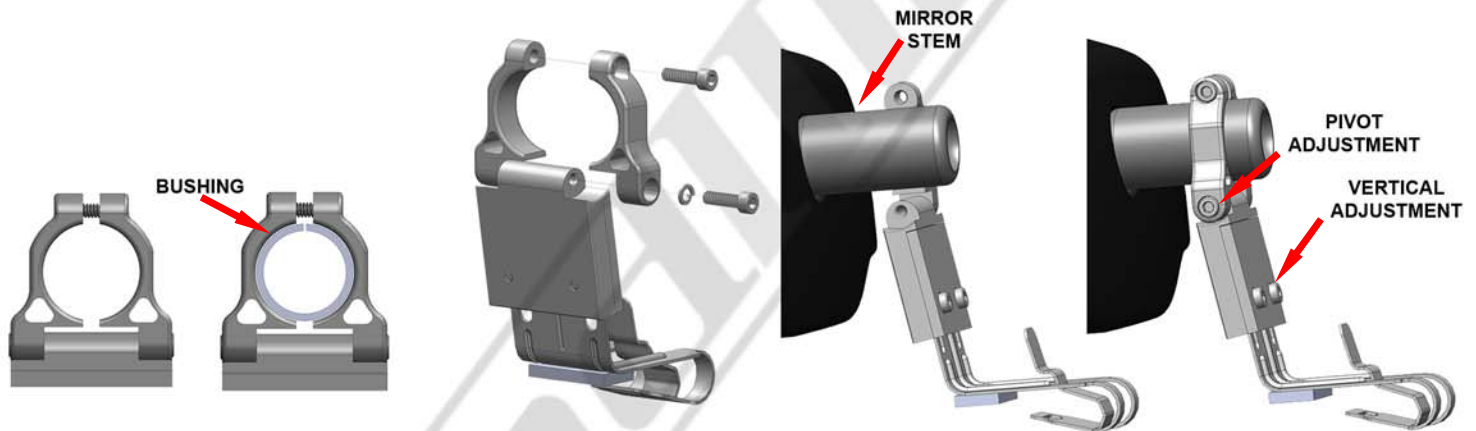


INSTALLATION INSTRUCTIONS FOR K40 RADAR DETECTORS



1 - To release the tension of the spring clip, simply squeeze the TRIGGER and the back side of the mount together. This will lower the bottom portion of the spring clip allowing you to slide the radar detector RD on and off. When used properly, the spring clip avoids putting excessive pressure on the mirror stem when installing and removing the RD. **The top portion of the mount should barely move when the two opposing forces are applied. SLIDE THE RD ONTO THE SPRING CLIP AS FAR AS IT WILL GO.** Release the trigger to secure the RD onto the mount. Before installing the mount onto your rear view mirror, remove and install the RD a few times so you can observe how the spring clip functions.

2 - Most compatible mirrors have a stem between the mirror and the windshield that has a pivot on both ends. We recommend that you try moving the mirror upward for a cleaner install. Move the stem upward using the windshield pivot only. Adjust the mirror to your normal viewing position using the mirror pivot only. Notice the higher location of the mirror as shown above.



3 - This mount was designed to fit rear view mirror stems that are 7/8" or 3/4" in diameter. If the mount is too big to clamp onto your RVM stem, wrap the supplied bushing around the stem before tightening the mount. This will reduce the inner diameter of the mount to 3/4".

4 - Install this mount from the passenger side of the vehicle. Remove the right half of the mount by removing the two socket head cap screws and the lock washer as shown above. With the left half of the mount still attached, position the mount around the mirror stem as shown above. Reattach the right side of the mount. Make sure the lock washer is still on the lower screw and tighten until the screw is fairly snug. Leave the top screw loose so the mount can slide along the mirror stem and rotate to the desired location. Use the adjustments shown above for the optimum placement of your RD.

CAUTION

- DO NOT** use this mount if it interferes with the adjustability or the operation of your rear view mirror in any way.
- DO NOT** use this mount if the radar detector creates an unsafe viewing obstruction.
- DO NOT** ATTEMPT TO MODIFY THIS PRODUCT. Consult the manufacturer for assistance.

All BlendMount products are accompanied with detailed installation instructions and adjustment tips. You are encouraged to contact customerservice@blendmount.com or call J28 Design at 1-888-497-8388 for further assistance.

Check the BlendMount Forum for installation tips and some vehicle specific installs. www.blendmount.com

Your feedback is very important to us. Please email any questions or comments you have to customerservice@blendmount.com

